



## **OPERATING INSTRUCTIONS**

**for the quick-change-system for**

**Secabo TC5, TC7, TPD7, TPD7 PREMIUM and TS7**

Congratulations on purchasing a Secabo product!

Please read these operating instructions carefully before using the product.

Any reproduction of these operating instructions in any form requires the written approval of Secabo GmbH. We reserve the right to amend technical data and product characteristics without prior notice.

Secabo GmbH assumes no liability for direct or indirect damage or injury resulting from the use of this product.

Version 1.2 (08.09.2016)

## Safety precautions

Please read these instructions and safety precautions carefully before using your press for the first time!

- Never reach into the heat press with your hands when it is connected to the power supply, particularly when it is switched on and heated up – danger of severe burns!
- Never open the housing or attempt to modify the machine yourself.
- Ensure that liquids and metal objects do not get into the inside of the heat press.
- Disconnect machine from power outlet when not in use!
- Never operate the heat press within the reach of children and never leave the machine unsupervised when switched on.
- Ensure that the machine is used only in dry rooms.

## Scope of delivery

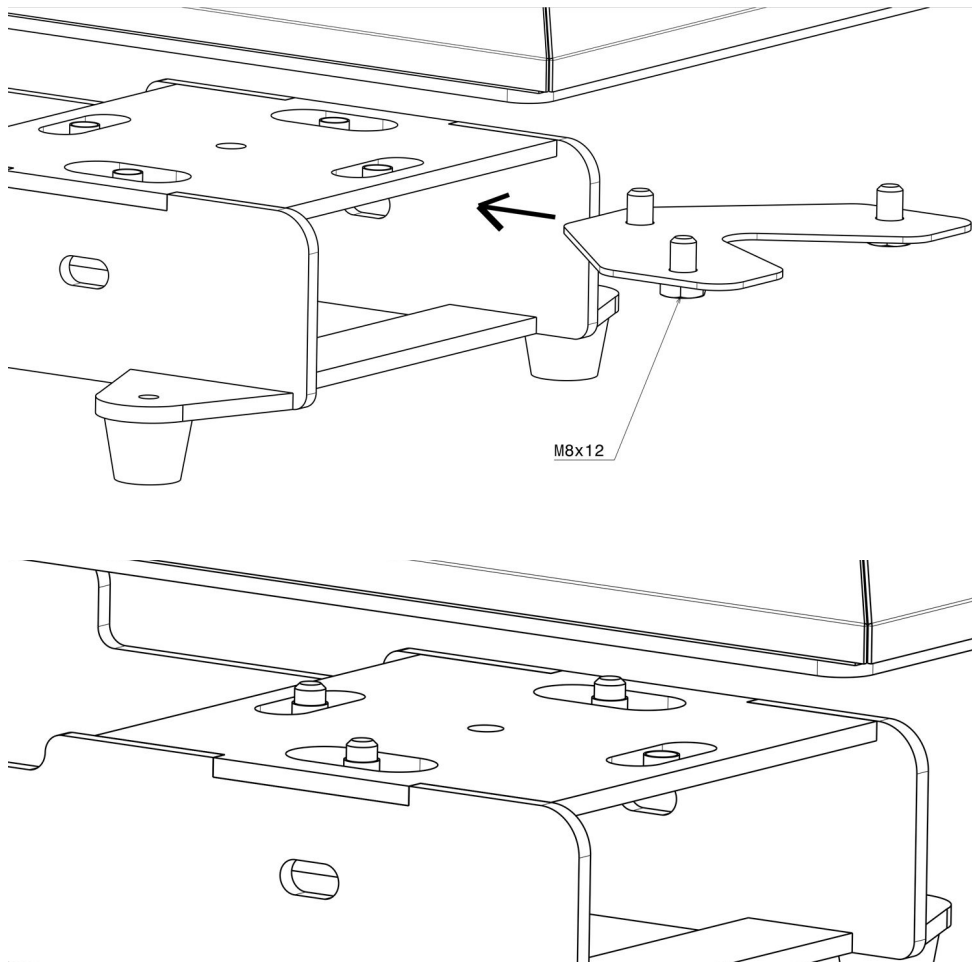
Before starting work, please check whether the following items are all present:

| Item                              | Quantity  |
|-----------------------------------|---|
| Quick-change-system base          | 1   |
| Mounting panel (only TC5 and TC7) | 1   |
| Adapter plate (only TPD7)         | 1   |
| Screws for quick-change-system    | M8x12 - 3 pieces (only TC5 and TC7)<br>M8x20 - 2 pieces (only TPD7)<br>M8x16 - 4 pieces (only TPD7 PREMIUM)<br>M8x20 - 4 pieces (only TS7)<br>M8 washer- 4 pieces (only TS7 and TPD7 PREMIUM)<br>M8 nut- 4 pieces (only TS7 and TPD7 PREMIUM) |
| Beam-Adapter                      | 1   |
| Screws for Beam-Adapter           | M6x12 - 4 pieces (TC5)<br>M8x16 - 4 pieces (TC7, TPD7, TPD7 PREMIUM and TS7)  |

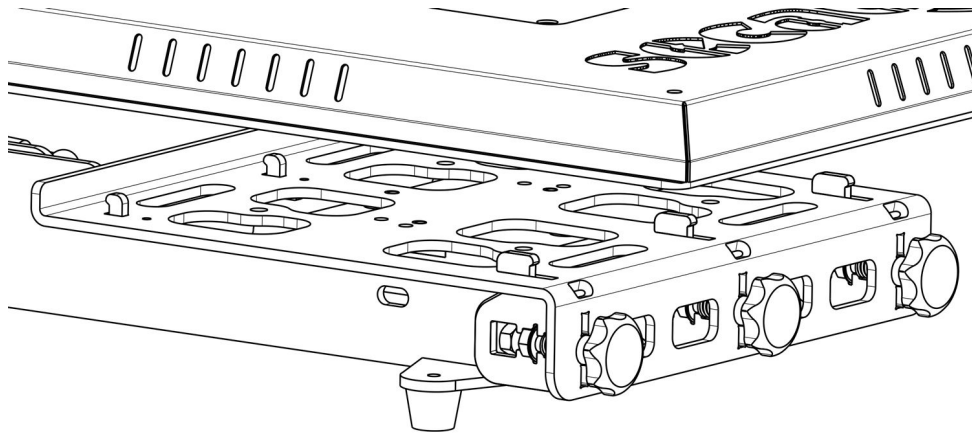
# Mounting steps

## Assembly - TC5 and TC7

- Release the base plate from the TC5 or TC7 by loosening the black hand screws below the frame of the heat press. The original base plate can now be taken off by lifting upwards.
- Put the lower mounting panel with the corresponding screws below the frame until the screws point upwards through the holes.



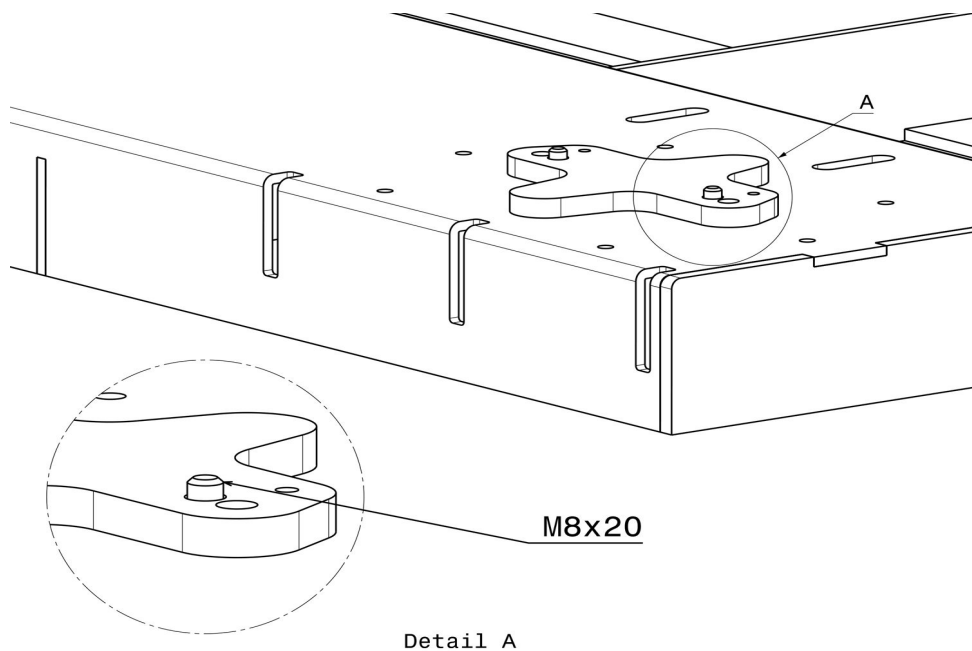
- Place the quick-change-system base on the frame of the heat press - all black hand screws are pointing forwards and the hooks for taking up the exchangeable base plates are pointing upwards.



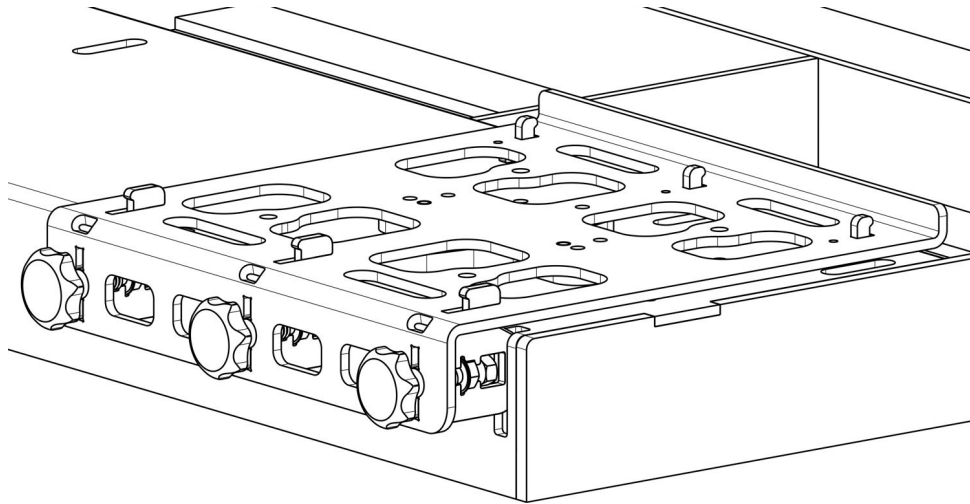
- Now tighten the three screws from below. Watch out for the correct alignment of the quick-change-system.
- The quick-change-system is now ready for use.

## Assembly - TPD7

- Tip the machine back gently and release the base plate from the TPD7 by loosening the 4 screws from the bottom plate. Please ensure that the press is secured in tilted position. The original base plate can now be taken off by lifting upwards.
- Place the adapter plate on to the corresponding position and insert the suitable screws through the holes.



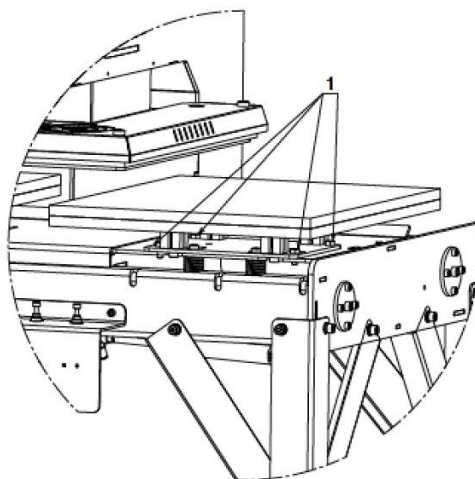
- Place the quick-change-system base on the frame of the heat press - all black hand screws are pointing forwards and the hooks for taking up the exchangeable base plates are pointing upwards.



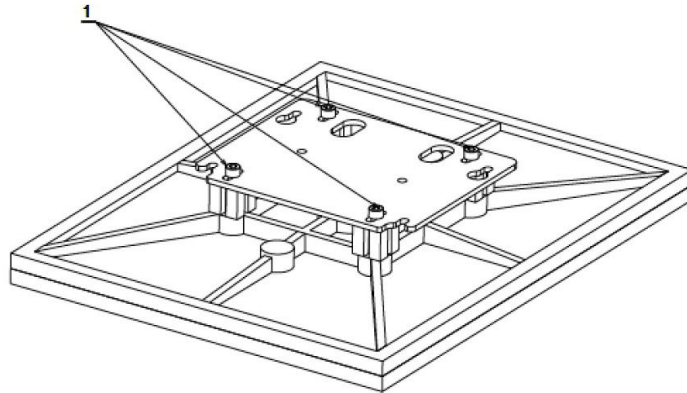
- In case you have two quick-change-systems for your TPD7, repeat the assembly in the same way on the other side.
- Place the TPD7 heat press back on the four rubber feet - now the press is ready for the next transfers.

## Assembly TPD7 PREMIUM

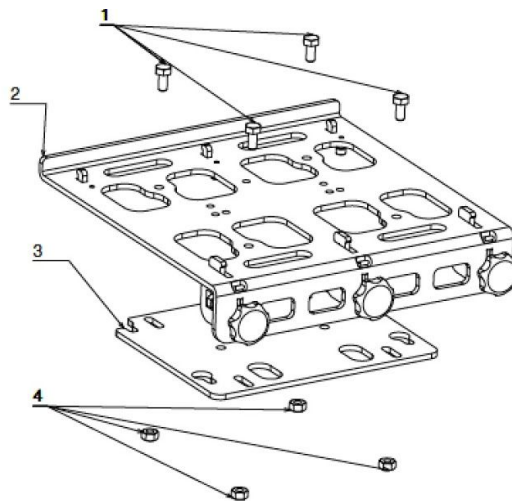
- Loosen the fixing screws of the base plate, until you can push it back and remove it from the top.



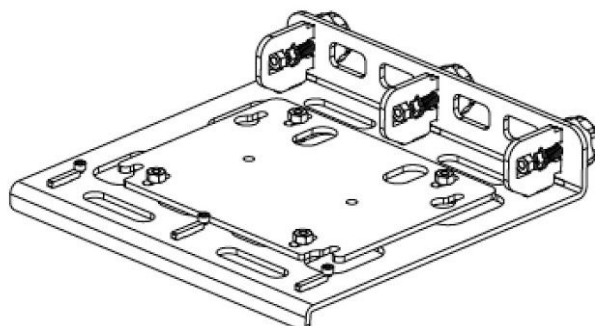
- Remove the base plate of the TPD7 PREMIUM and loosen the pre-mounted adapter plate.



- Mount on the Beam-Adapter below the base part of the quick-change-system by using included screws



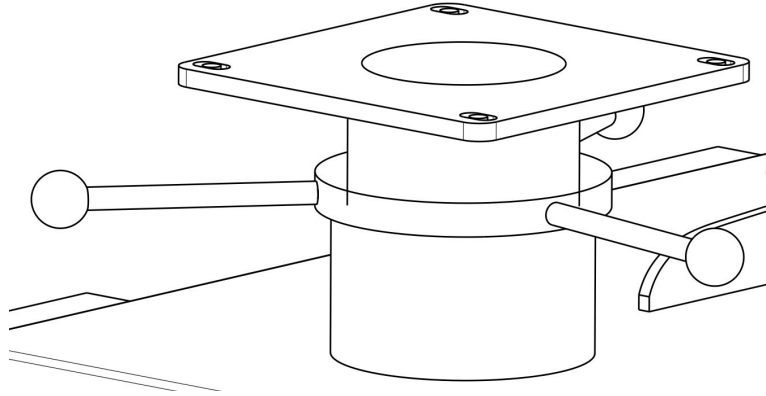
- The quick-change-system has to be mounted onto the socket of the TPD7 PREMIUM and tighten all screws.



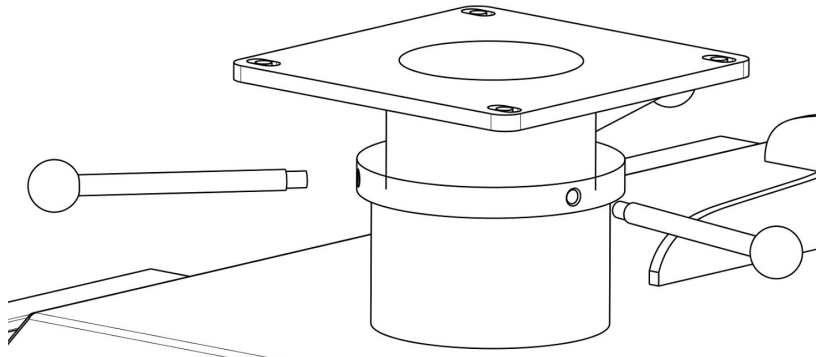
- In case you have two quick-change-systems for your TPD7 PREMIUM, repeat the assembly in the same way on the other side of the press.
- The quick-change-system is now ready for use.

## Assembly - TS7

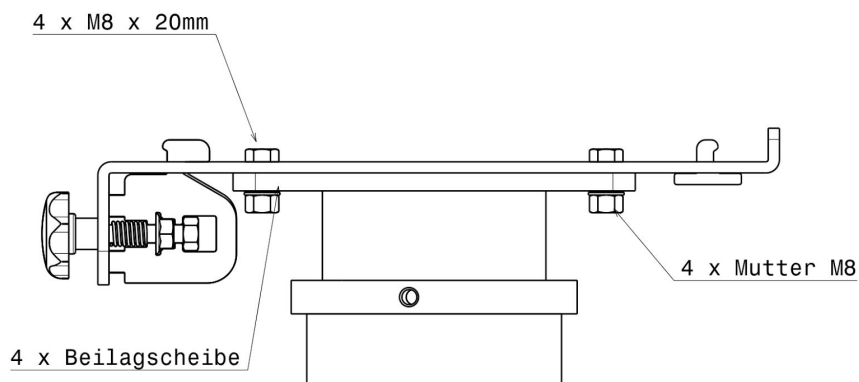
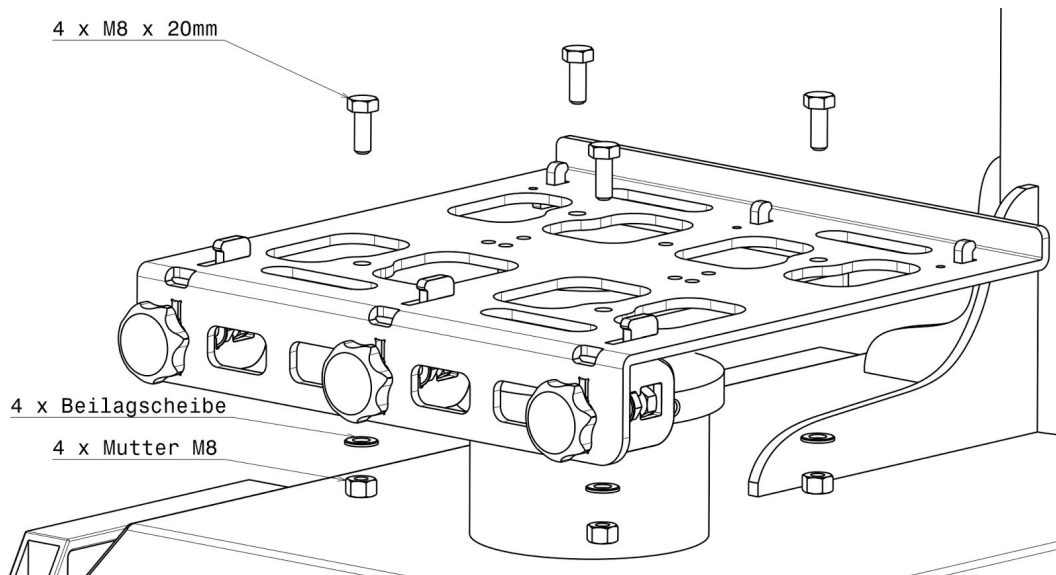
- Release the base plate from the TS7 by loosening the black hand screws below the base plate of the heat press. The original base plate can now be taken off by lifting upwards.



- Loosen the threaded bolts at the adjustment ring below the base plate.

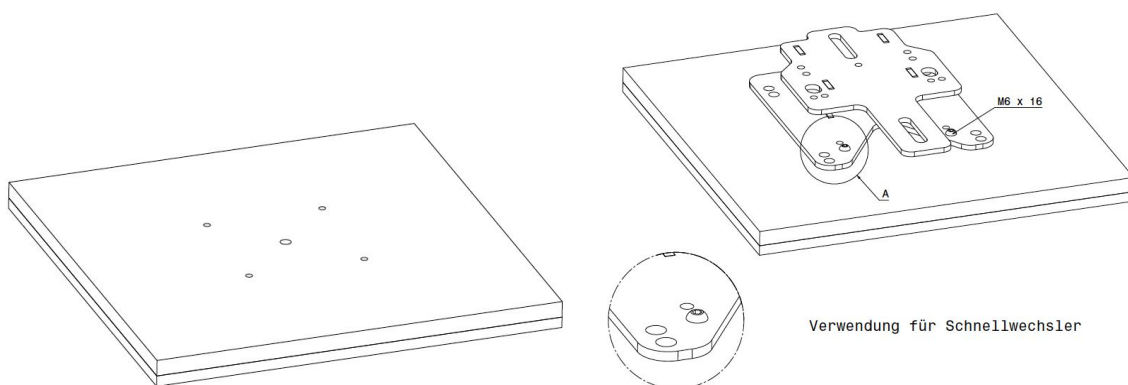


- Place the quick-change-system base at the corresponding position and stick the appropriate screws from upwards through the holes. Tighten the screws and washers.

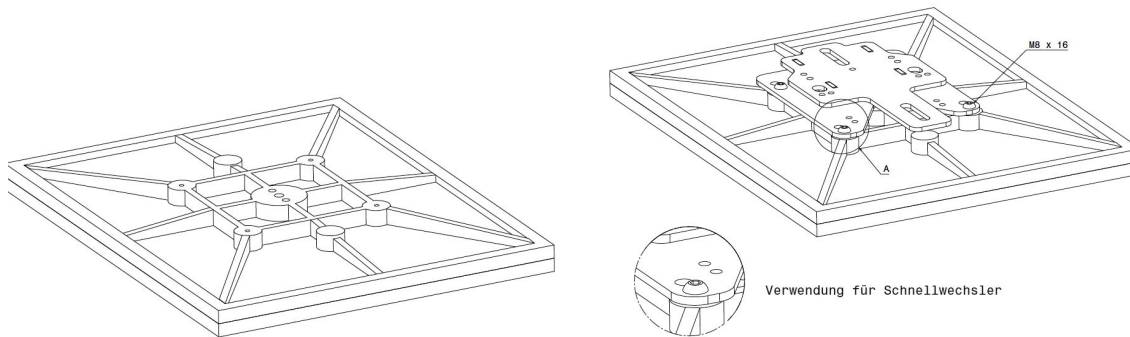


## Assembly of the Beam-Adapter

- Loosen the screws on the two aluminium blocks underneath the base plate (only TC5).
- Mount on the Beam-Adapter by using the included M6x12 (TC5) or M8x16 (TC7) screws.







## Use of the Secabo quick-change-system

- Insert the base plate with the Beam-Adapter on to the rail in the middle of your quick-change-system.
- Smaller exchangeable base plates can alternatively be inserted on all three rails.
- Plates can be inserted by screwing the front hand wheel until the small rail on the upper side moves backwards. Now place an exchangeable base plate in-between and tighten the screw until the plate is stuck.
- When using a single small plate - always mount it on to the rail in the middle, to assure that the heating plate is loaded evenly.