



OPERATING MANUAL

for the modular heat presses

Secabo TC5 Lite und TC7 Lite

Congratulations on the purchase of your Secabo heat press!

Please read this operating manual carefully to ensure a smooth production launch with your new device.

Any type of reproduction of this operating manual requires the written permission of Secabo GmbH. Modifications to and errors in the technical data and/or product characteristics are reserved.

Secabo GmbH accepts no liability for any direct or indirect damages resulting from the use of this product.

Version 1.0 (23.07.2020)



Safety Precautions

Please read the information and safety precautions carefully prior to first commissioning of the device!

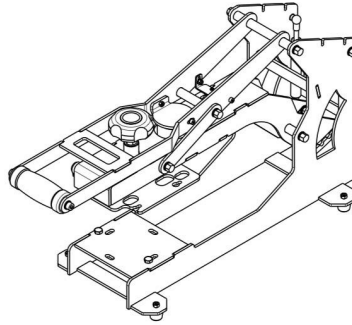
- Never reach inside the heat press with your hands when it is connected to the power supply, especially if it is switched on and heated up – danger of burns!
- Never open the casing and do not make any modifications to the unit yourself.
- Should it be necessary to open the heat plate cover upon explicit request by Secabo's customer service team, it is recommended you wear respiratory protection and only touch the insulation wool located therein using gloves. Possible disposal of the insulation wool should only be done inside a closed bag.
- Ensure that neither liquids nor metal objects reach the inside of the heat press.
- Make sure you use a grounded wall socket. Keep in mind that a heat press may only be operated using a wall socket equipped with a ground fault circuit interrupter.
- Disconnect the heat press from the power supply when it's not in use.
- Always ensure that the heat press is out of reach of children during operation and never leave the device unsupervised when switched on.
- Make sure the unit is only used in dry rooms.

If you cannot comply with one or more of the aforementioned safety rules, or if you are unsure as to whether you're in compliance with all of the points, please contact our technical support.

Items included

Mechanical base of the heat press

heat press base

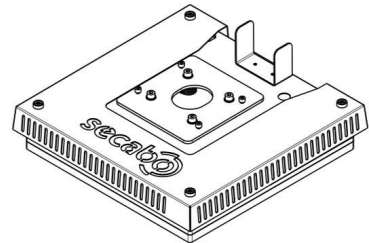
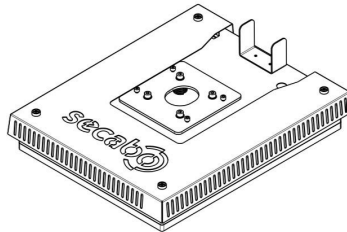


Heat plate and base plate

HP5 - 38cm x 38cm

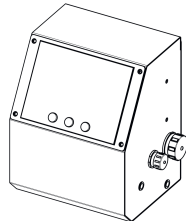
or

HP7 - 40cm x 50cm
depending on the model

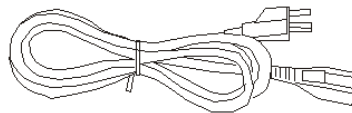


Controller box

CL01



C13 Cold device cable



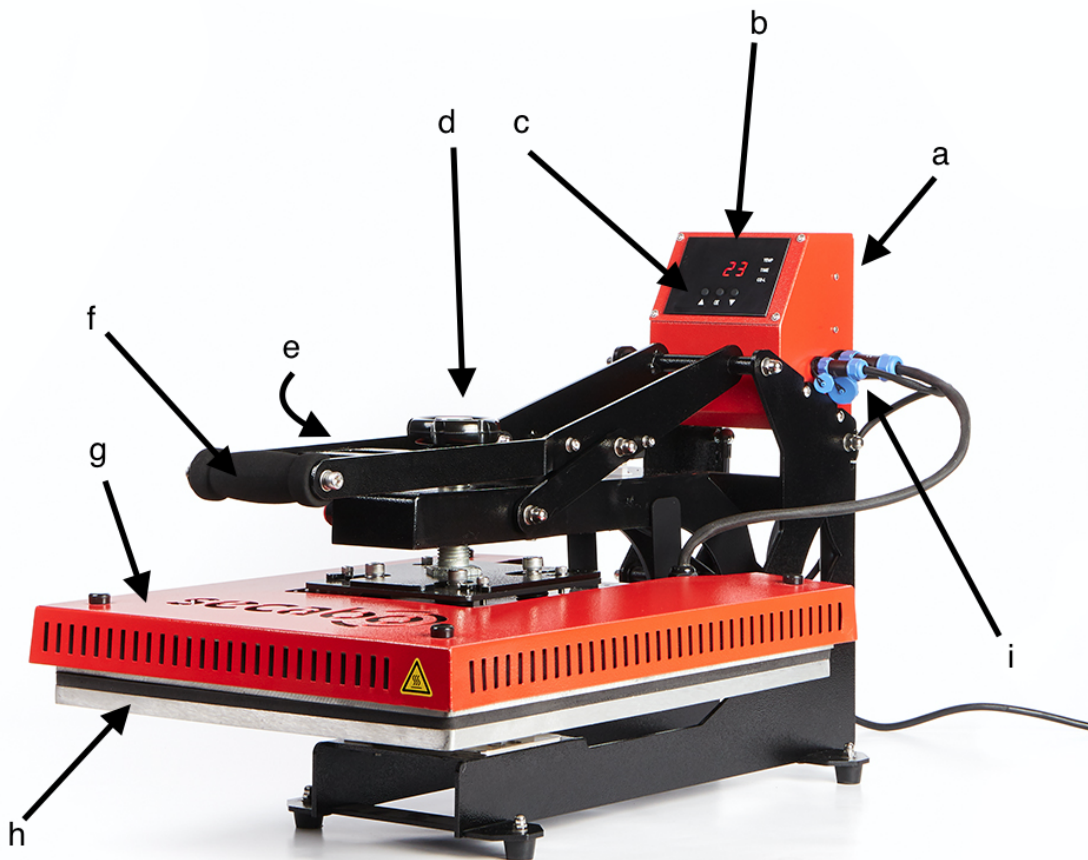
Size 5 Allen key for M6 inner hexagonal screws



Spanner 13 for M8 hexagon screws



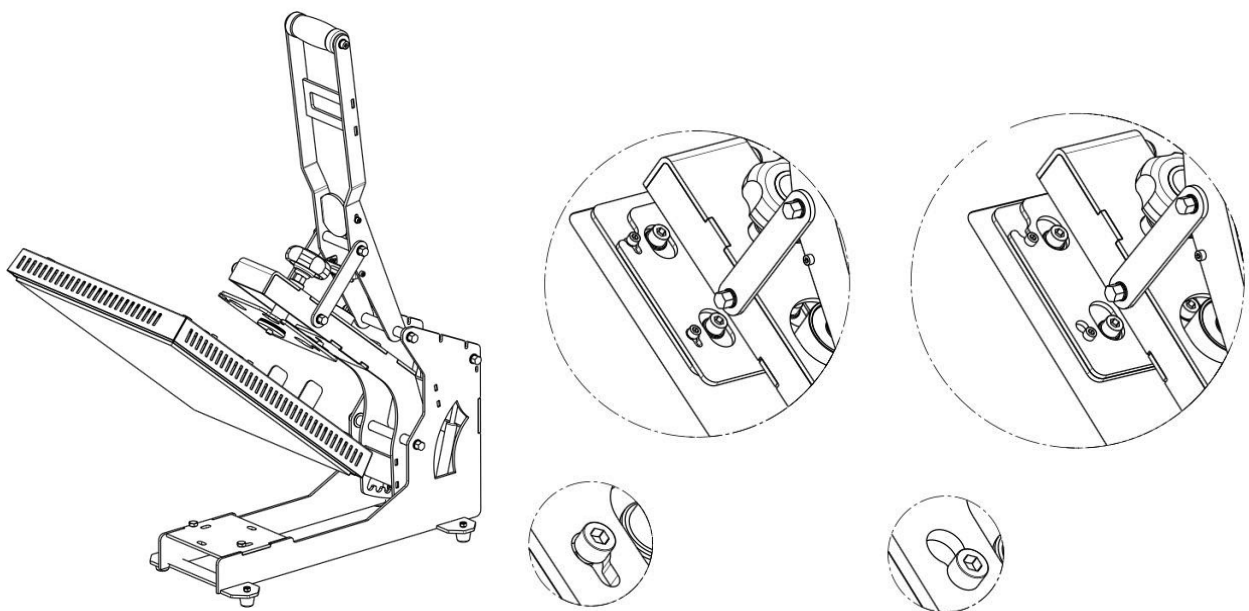
Machine description



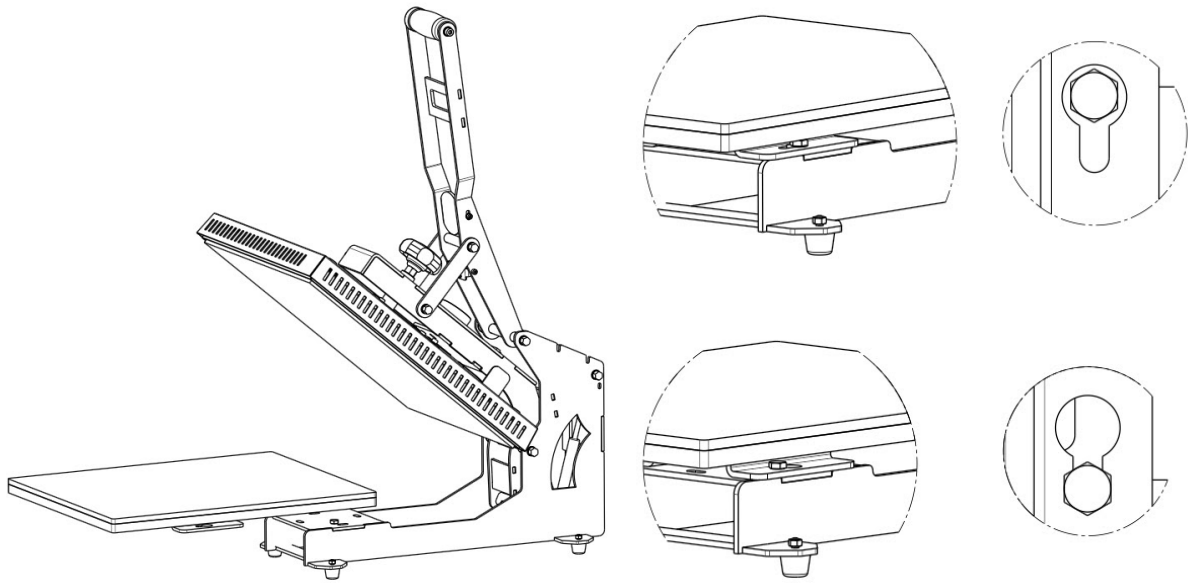
- a. Main switch
- b. LCD-Display
- c. Control panel with buttons
- d. Hand wheel for pressure adjustment
- e. Button for manually opening the press
- f. Press lever
- g. Heat plate cover and heat plate
- h. Base plate
- i. IEC socket and internal connections (not depicted)

Installation and Commissioning

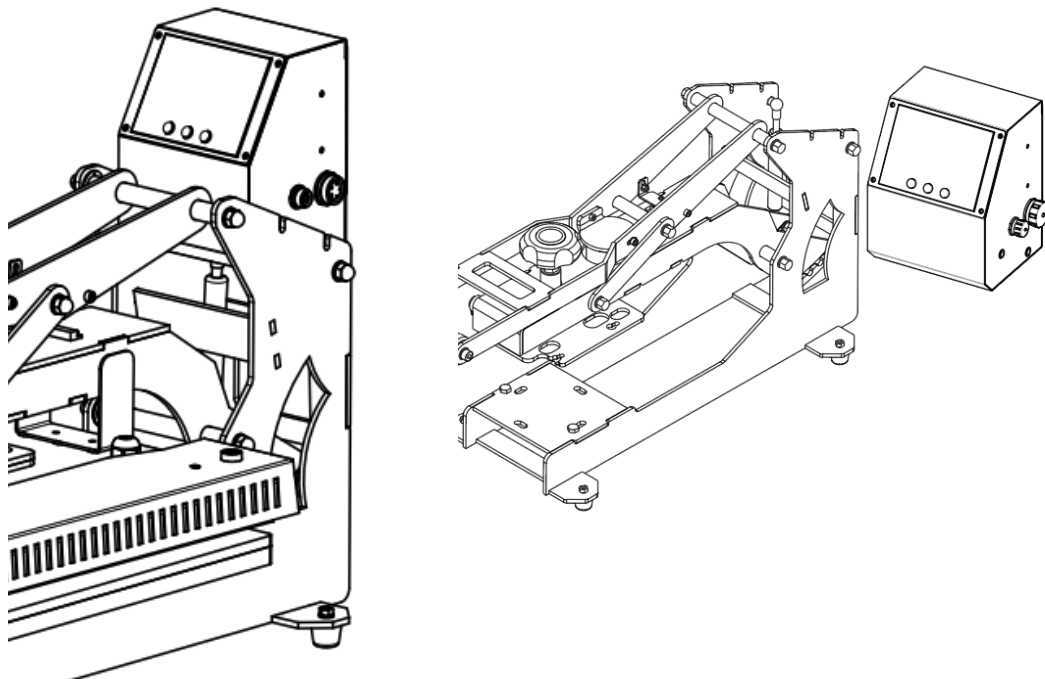
- Safely set up the base frame **heat press base** of the TC5 SMART or TC7 SMART heat press on a sturdy table.
- Open the press lever at the **heat press base** in such a manner that it points steeply upwards.
- Position the heat plate **HP5** or **HP7** - depending on the model - in front of the connecting flange below the press lever on the **heat press base** at a slant and thread the 4 outer screws heads into the keyhole grooves on the flange plate.



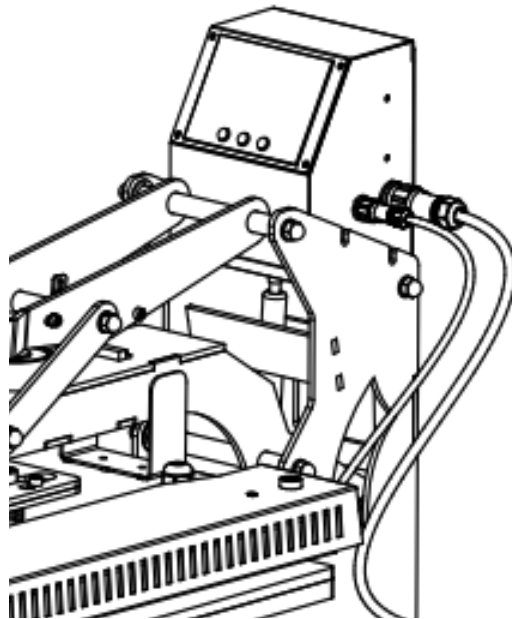
- Carefully tighten the screws using the included Allen key. **Attention: As long as the screws are not properly tightened, the heat plate may fall down! Risk of injury!**
- Lift the supplied base plate over the **heat press base's** socket and thread the screw heads of the hexagon screws through the keyhole grooves on the black adapter plate at the bottom side of the base plate.



- Tighten the 4 Allen screws using the supplied size 13 spanner.
- Position the controller box at the upper rear center of the base frame of the TC5 Lite or TC7 Lite heat press and let the studs at the controller box slide into the slots on the **heat press base**. Securely tighten the hand nuts.



- Attach the small 6-pin plug from the rear side of the **heat press base** to the appropriate socket on the outer right side of the controller box.
- Attach the large 5-pin plug from the surface of the heat plate to the appropriate socket on the right outer side of the controller box.

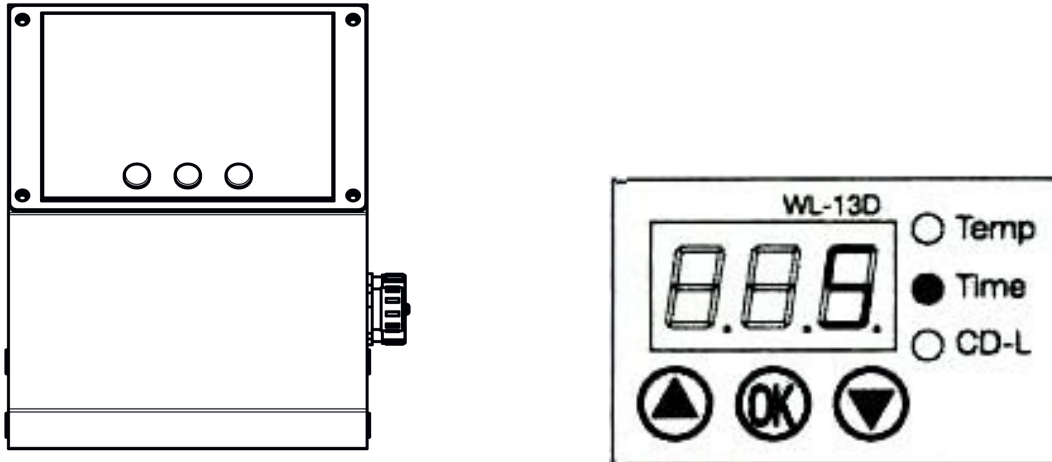


- Connect the protective earth cable from the CL01 controller to the rear of the terminal on the heat press base (not shown).
- Plug the supplied C13 cold device cable into the back of the controller box and connect it to a safety socket, which must be equipped with a grounded connection, protection via fuse and ground fault circuit interrupter.

The TC5 SMART or TC7 SMART heat press is now ready for use.

Controller components and operation

Digital Controller CL01



Operation

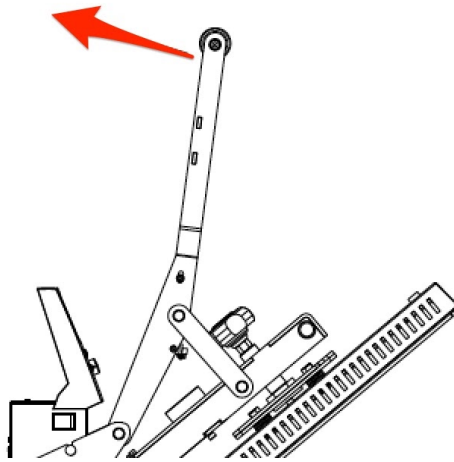
- Connect the TC5 Lite/ TC7 Lite heat press to a 230 V power socket using the connection cable supplied.
- Switch on the TC5 Lite/ TC7 Lite heat press.
- The display shows „OFF“.
- Switch on the press with the red rocker switch. The display shows „-f-“ (Fahrenheit) or „-c-“ (Celsius)
- Use “UP” or “DOWN” to set °C or °F and press OK. The „Temp“ LED is flashing.
- Use “UP” or “DOWN” to set the desired temperature and press OK. The “Time” LED is flashing.
- Use “UP” or “DOWN” to set the desired time and press OK.
- The display shows the current temperature or Low if it is under 100° C
- An acoustic signal sounds as soon as the press is heated up.
- You can now make the first transfers. The timer starts running as soon as the press is closed with the press lever.
- 3 seconds before the end a warning signal sounds. After the set time has expired, the press has to be opened again.
- The contact pressure can be adjusted with a wheel on the surface of the press. Clockwise rotation causes less pressure - counter clockwise rotation causes more pressure.

Note: Please keep in mind that it takes some time for the press to cool off after it is switched off and Switch off the machine when it is not in use!

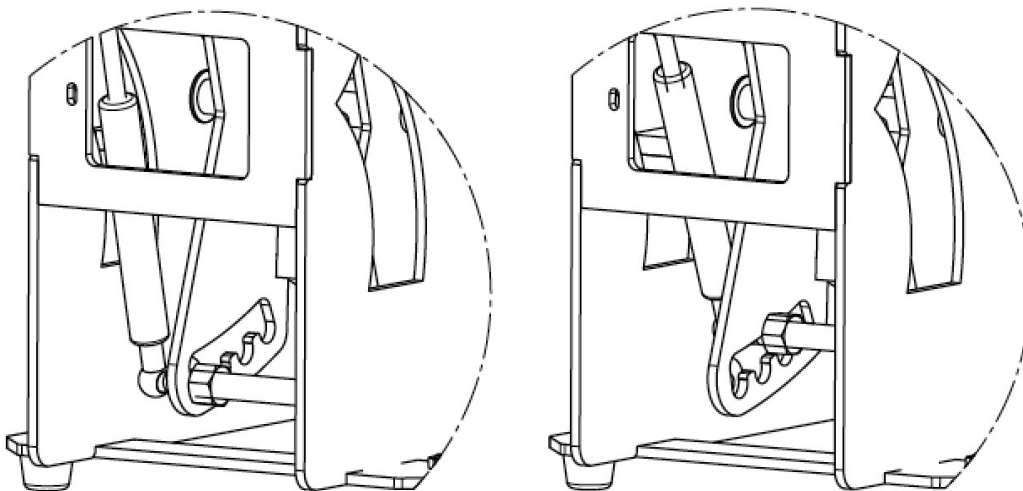
Modifying the force to close the press

With a TC5 SMART and TC7 SMART, you can adjust the force required to close the heat press to one of several levels.

- To do this, open the heat press and lift the press lever up and backwards as far as it will go, against the stop. By doing so, you release the gas pressure springs in the rear area of the *heat press base*.

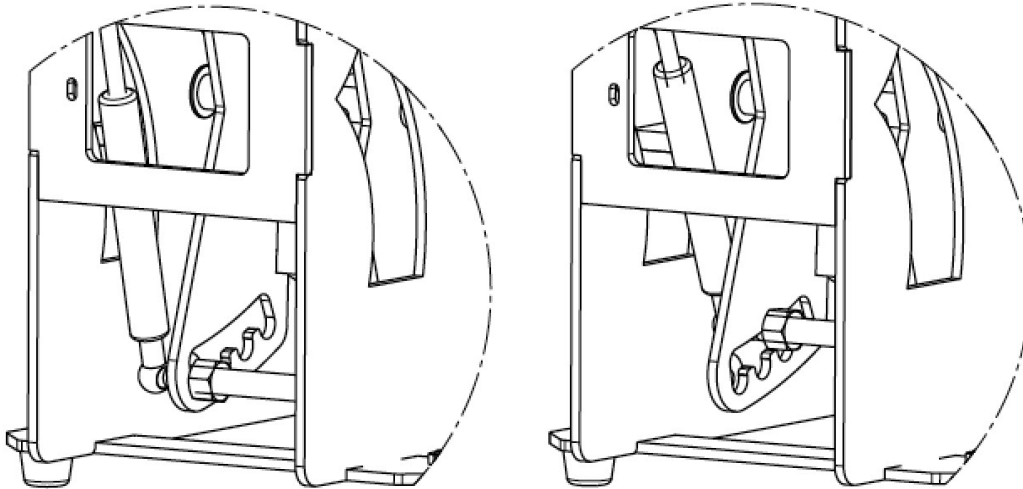


- In the released position, you can now access the connecting rod between the two gas compression springs from behind, lift it slightly and vary the position within the predetermined locking points. **Caution! Danger of injury from trapping/crushing!**



- Moving the contact point of the springs to the front lowers the closing force, while moving to

the rear increases it. Please note that sufficient force is required to ensure automatic opening of the press - the opening force decreases or increases along with the closing force.



- Moving the contact point of the springs to the front lowers the closing force, while moving to the rear increases it. Please note that sufficient force is required to ensure automatic opening of the press - the opening force decreases or increases along with the closing force.

Maintenance and cleaning

All maintenance work must be carried out with the press switched off and cooled off, no exceptions! First, remove the plug from the wall socket. Only perform maintenance work after consultation with our technical support team.

The press should be cleaned regularly using a soft cloth and a mild household cleaner to remove adhesive residues, dust, etc. Do not use scouring sponges, solvents or gasoline!

Recommended times and temperatures

These values should only be considered as guideline values, may vary depending on the material and must be checked before pressing.

Material	Temperature	Pressure	Press duration
Flock film	170°C - 185°C 338°F - 365°F	low-medium	25s
Flex film	160°C - 170°C 320°F - 338°F	medium-high	25s
Sublimation flex	180°C - 195°C 356°F - 383°F	medium-high	10s - 35s
Sublimation on mugs	200°C 392°F	medium-high	150s - 180s
Sublimation on tiles	200°C 392°F	high	120s - 480s <small>(depends on the thickness of the material)</small>
Sublimation on puzzles	200°C 392°F	low-medium	25s
Sublimation on mouse pads	200°C 392°F	medium	20s - 40s
Sublimation on garments	200°C 392°F	medium-high	30s - 50s
Sublimation on metal plates	200°C 392°F	high	10s - 50s <small>(depends on the thickness of the material)</small>

Important note: You should perform your own tests with the respective transfer materials and carrier media prior to each production. The aforementioned values, as well as any manufacturer specification merely serve as indications. Washing resistance and behavior during the transfer must be determined by performing your own tests.

No guarantee can be derived from the recommended values. It is always the user's responsibility to determine and apply the correct settings for his specific conditions.

Note on garment finishing processes: After the press operation, garments must cool off



before any carrier media can be pulled off the transfer material. The hot glue in the transfer material doesn't develop its adhesive strength until cooled off. If the glue does not stick in its cold state, this may indicate that the pressing procedure was too cold or too short.



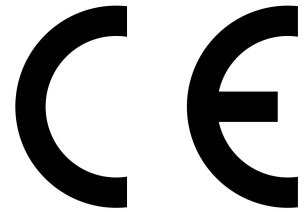
Technical data

Heat press	Secabo TC5 Lite	Secabo TC7 Lite
Type	automatically opening modular clam press	
Working area size	38cm x 38cm 15" x 15"	40cm x 50cm 16" x 20"
Max. opening angle	40°	
Max. temperature	220°C / 428°F	
Max. preset time	999s	
Max. working pressure	250g/cm ² / 3.56 psi	
Pressure setting	Height-adjustment of the heat plate via hand wheel	
Power supply	230V / 50Hz - 60Hz, 1,8kW or 110V / 50Hz - 60 Hz, 1,45kW	230V / 50Hz - 60Hz, 2,0kW or 110V / 50Hz - 60 Hz, 1,65kW
Environment	+ 5°C - +35°C / 30% - 70% relative humidity 41°F - 95°F - 70% relative humidity	
Weight	32kg / 70.5 lbs	38kg / 83.8 lbs
Weight with packaging	Heat press base and controller box: 21.5kg / 47.4 lbs Heat plate and base plate 17.6kg / 38.8lbs	Heat press base and controller box: 21.5kg / 47.4 lbs Heat plate and base plate 23.5kg / 51.8lbs
Closed dimensions (W x H x D)	41cm x 57cm x 73cm 16.1" x 22.5" x 28.7"	43cm x 57cm x 75cm 16.9" x 22.5" x 29.5"
Open dimensions (W x H x D)	41cm x 93cm x 67cm 16.1" x 36.6" x 26.4"	43cm x 93cm x 74cm 16.9" x 22.5" x 29.1"

Konformitätserklärung - Statement of Conformity

Hiermit erklären wir in alleiniger Verantwortung, dass das unter „Technische Daten“ genannte Produkt mit den Bestimmungen der folgenden EG-Richtlinien und Normen übereinstimmt:

We herewith declare under sole responsibility that the under „technical data“ mentioned product meet the provisions of the following EC Directives and Harmonized Standards:



EG-Richtlinien / EC directives:

2014/35/EG Niederspannungsrichtlinie /

2014/35/EC Low Voltage Directive

98/37/EG Maschinenrichtlinie (2006/42/EG vom 12/29/2009) /

98/37/EC Directive on machinery (from 2009-12-29: 2006/42/EC)

Norm / Standard: EN 60204-1:2006

Technische Dokumente bei / Technical documents at:

Secabo GmbH, Hochstatt 6-8, 85283 Wolnzach, Germany

Dipl. Ing. Fabian Franke

Dipl. Ing.(FH) Bernhard Schmidt